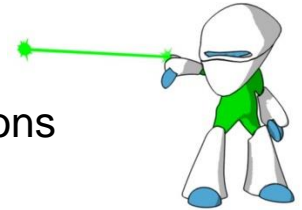


LASERENCORE

Professional laser light shows, displays and installations



STINGER RGB 3,000

Overview

STINGER RGB 3,000 is a full-color professional laser projector designed for small to medium size indoor applications. Its compact size and lightweight design make it a perfect choice for nightclubs, DJs and laser hobbyists.



Specifications

Light Source

Red: 680mW @ 637nm Single Mode Direct-Inject diodes

Green: 1000mW @ 520nm Multi-Mode Direct-Inject diodes

Blue: 1500mW @ 445nm Multi-Mode Direct-Inject diodes

Total Output @ Projector window: 2700mW ~ 2900mW

Beam Diameter (Projector Window): < 4 mm

Divergence (Full angle): < 1mrad (Full angle)

Modulation: Analog 50KHZ

Laser Class: Class IV

Scanner

Galvos: 30K (40k / EMS 8000 60K upon request)

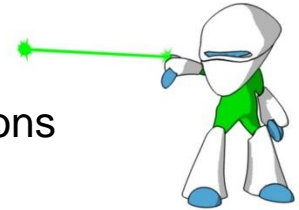
Scan Angle: 60° Max (Optical)

Laser Encore Inc.

1-(651)633-8000 info@laserencore.com www.laserencore.com

LASERENCORE

Professional laser light shows, displays and installations



Interfaces & Controls

Control: ILDA in (Differential), ILDA out
Built-in Controller Pangolin FB4 (upon request)
DMX / Ethernet (Optional)
DMX in / Out (When FB4 & DMX daughter board is embedded)
Ethernet RJ45 in/Out (When FB4 is embedded)
Safety: Key Switch, Scan-Fail-Safe Switch
Remote Interlock: 3 pins XLR
Scan Image Invert: Invert – X, Invert – Y
Color adjustment: Intensity R, G, B (0-100%)
Mains: Neutrik PowerCon®

Thermal Control

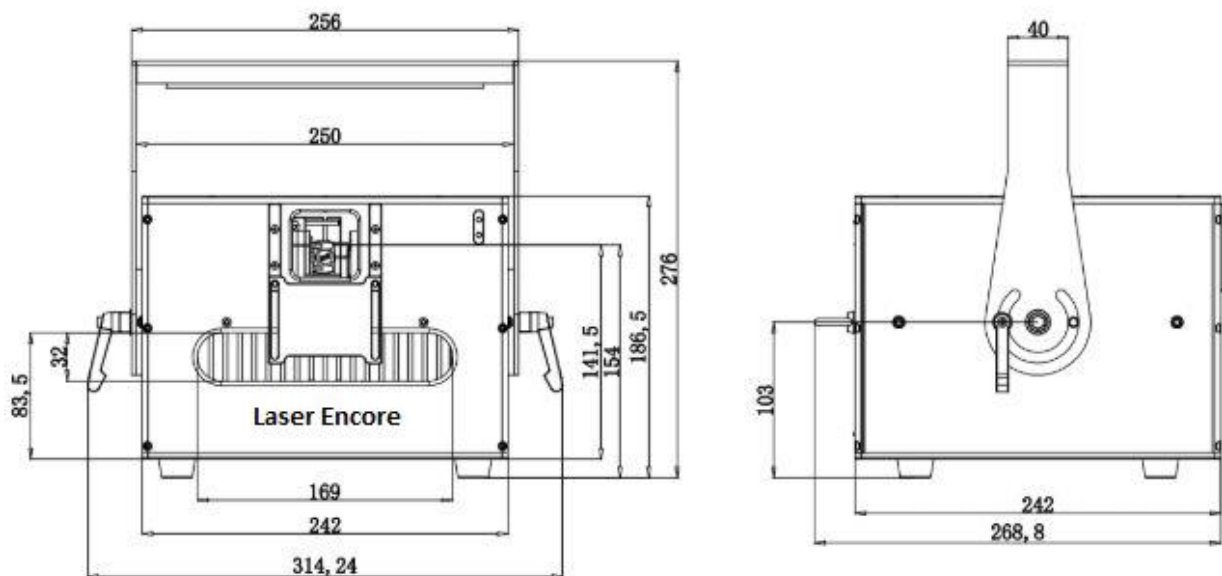
Cooling: TEC Peltier Elements
Ventilation: 40mm Low noise fan * 4

Electric

Operating Voltage: AC 110V-240V
Power Consumption: 150W Max

Physical

L * W * H: 242mm * 242mm * 175mm (Without Yoke, Without feet)
Weight: 8.5 kg
Housing Materials: Black Anodized Aluminum
IP grade: IP54
Packaging: Flight case
CDRH, FDA, CE and RoHS certified



Laser Encore Inc.

1-(651)633-8000 info@laserencore.com www.laserencore.com