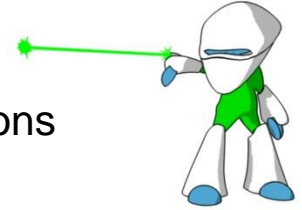


LASERENCORE

Professional laser light shows, displays and installations



STINGER RGB 7,500

Overview

STINGER RGB 7,500 is a full-color professional laser projector designed for small to large-scale indoor applications, plus small to medium-scale outdoor events. Its compact size and powerful output make it a perfect choice for nightclubs, DJs and event professionals.



Specifications

Light Source

Red: 2220mW @ 637nm Single Mode Direct-Inject diodes

Green: 2000mW @ 520nm Multi-Mode Direct-Inject diodes

Blue: 3400mW @ 445nm Multi-Mode Direct-Inject diodes

462nm on-request

Total Output @ Projector window: 6600mW ~ 7000mW

Beam Diameter (Projector Window): < 4 mm

Divergence (Full angle): < 0.9mrad (Full angle)

Modulation: Analog 50KHZ

Laser Class: Class IV

Scanner

Galvos: 40K (EMS 8000 60K upon request)

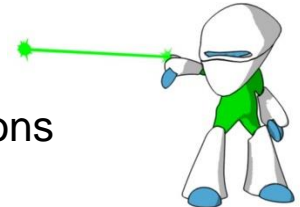
Scan Angle: 60° Max

Laser Encore Inc.

1-(651)633-8000 info@laserencore.com www.laserencore.com

LASERENCORE

Professional laser light shows, displays and installations



Interfaces & Controls

Control: ILDA in (Differential), ILDA out
Built-in Controller Pangolin FB4 (upon request)
DMX / Ethernet (Optional)
DMX in / Out (When FB4 & DMX daughter board is embedded)
Ethernet RJ45 in/Out (When FB4 is embedded)
Safety: Key Switch, Scan-Fail-Safe Switch
Remote Interlock: 5 pins XLR
Scan Image Invert: Invert – X, Invert – Y
Color adjustment: Intensity R, G, B (0-100%)
Mains: Neutrik PowerCon®

Thermal Control

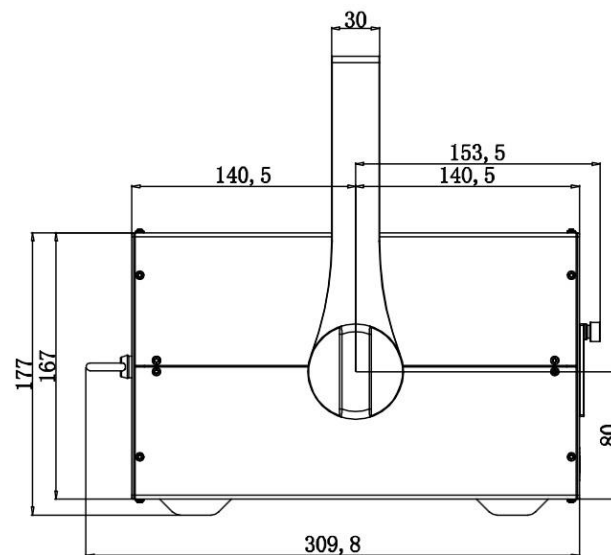
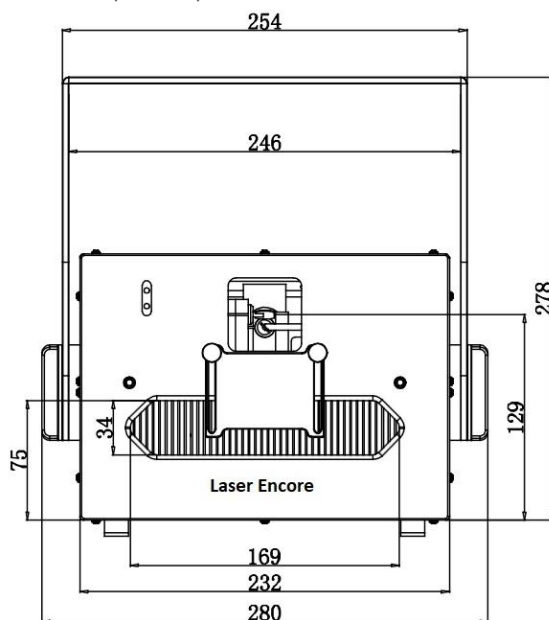
Cooling: TEC Peltier Elements
Ventilation: 40mm Low noise fan * 4

Electric

Operating Voltage: AC 110V-240V
Power Consumption: 280W Max

Physical

L * W * H: 281mm * 232mm * 167mm (Without Yoke, Without feet)
Weight: 11 kg
Housing Materials: Black Anodized Aluminum
IP grade: IP54
Packaging: Flight case
CDRH, FDA, CE and RoHS certified



Laser Encore Inc.

1-(651)633-8000 info@laserencore.com www.laserencore.com